

# Threaded End Connection

## Series F Carbon Steel

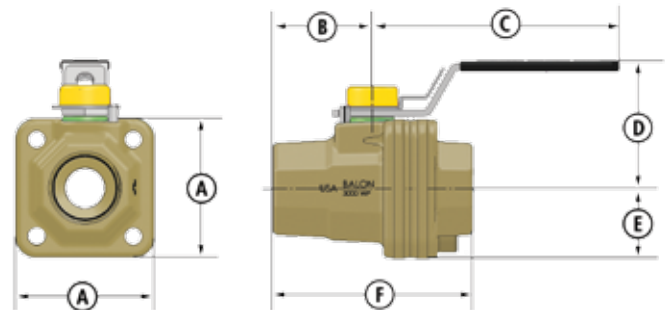
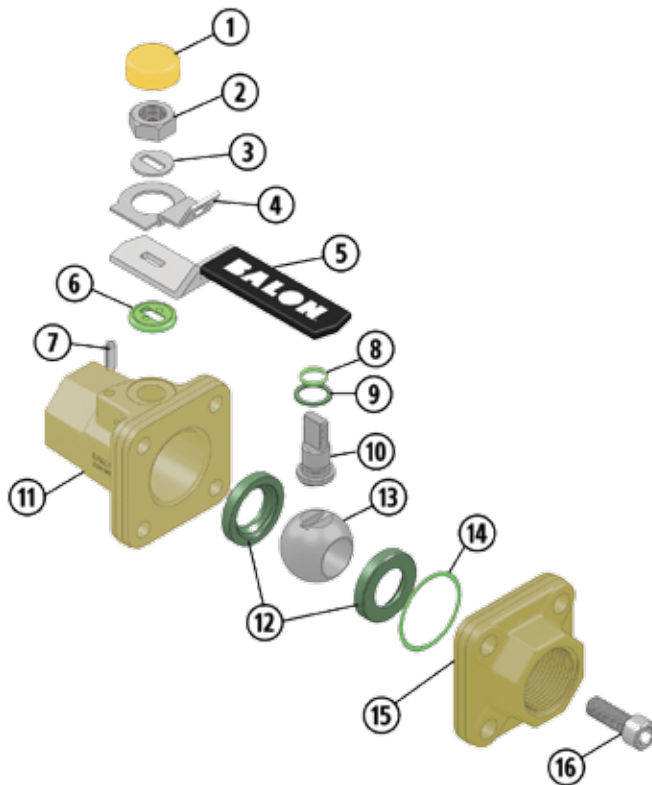
- LF2 Forged Steel for Low-Temp Service to -50° F
- Lever Operated Ball Valve
- 3000 PSI WP
- 1/4" Through 1"
- Bolted Body Construction
  - NACE Standard
  - Forged Body and Adapter
  - Rugged Bolted Construction
  - Low-Torque Operation
  - Multi-Seal Seats
  - Maintenance Free
  - Fire Safe Design



### Material Description

ITEM	PART NAME	MATERIAL (NACE)
1	Weather Guard	Polyethylene
2	Stem Nut	Carbon Steel
3	Spacer	Carbon Steel
4	Lock Plate	Carbon Steel
5	Handle	Carbon Steel
6	Stem Washer	Acetal
7	Stop Pin	Carbon Steel
8	Stem O-Ring	Fluorocarbon
9	Stem Seal	TFE
10	Stem	316 Stainless Steel
11	Body	ASTM A350 LF2
12	Seat	Nylon (TFE Optional)
13	Ball	316 Stainless Steel
14	Body Seal	Fluorocarbon
15	End Adapter	ASTM A350 LF2
16	Body Bolts	ASTM A320 L7M

\* Handle and lock device are standard.



### Dimensional Data

SIZE	CATALOG NUMBER		PORT	WP	A	B	C	D	E	F	LBS.	Cv
	NACE TRIM	316 SS BALL & STEM										
.25 x .375 x .25	1/4F-F03NL-SE		.37	3000	1.75	1.12	3.50	1.88	0.88	2.25	1	-
.50 x .375 x .50	1/2R-F03NL-SE		.37	3000	1.75	1.19	3.50	1.88	0.88	2.38	1	6
.75 x .75 x .75	3/4F-F03NL-SE		.75	3000	2.62	1.81	4.87	2.56	1.31	3.62	3.2	-
1 x .75 x 1	1R-F03NL-SE		.75	3000	2.62	1.88	4.87	2.56	1.31	3.75	3.3	30