

1540 Side Mounted Pneumatic Level Switch

Form 1337CM

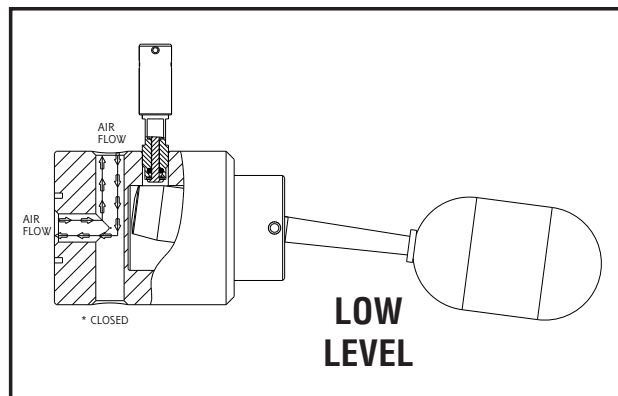
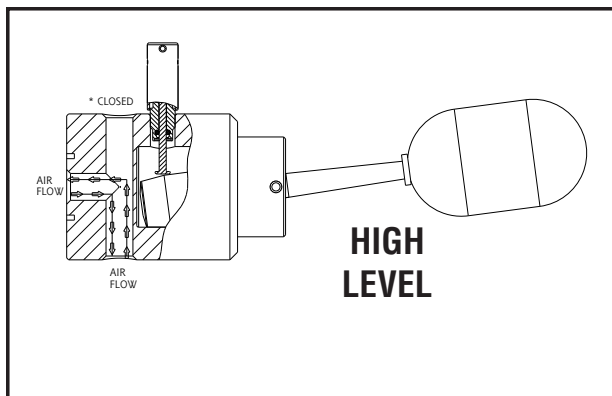
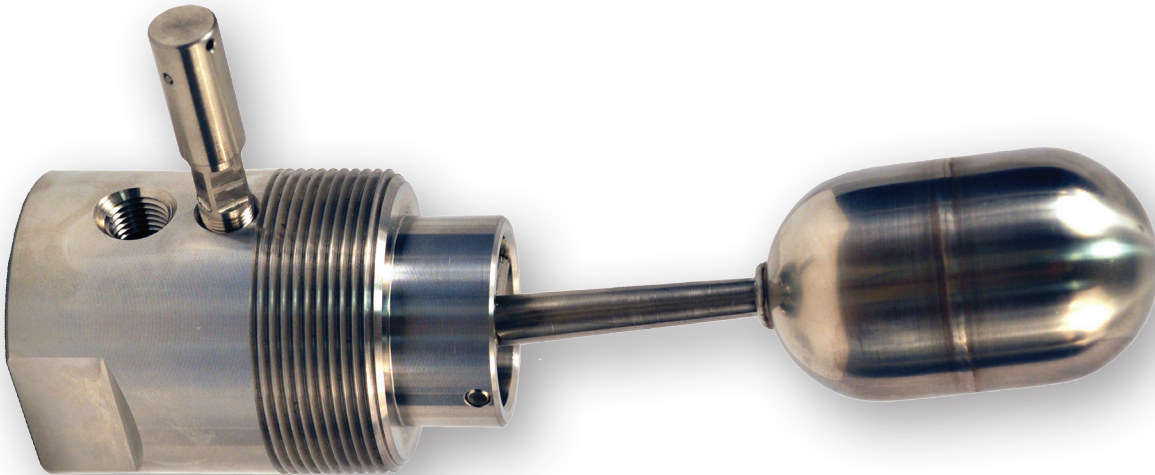
1540 is a horizontally mounted, float-operated level switch suitable for plant and OEM applications where pneumatic valve operation is required to signal presence or absence of liquid at a discrete level. The float arm moves a magnet which in turn moves a shuttle that either blocks or allows pilot pressure to pass and operate ancillary equipment. Actuation (deactuation) can be reversed by rotating the unit 180 degrees or switching inlet connections (see below).

The supply media must be filtered and oil free. Air is the usual media; however, any dry, filtered gas can be used.

Product Specifications

Orientation	Horizontal mount only
Body Material	316 Stainless Steel
Connection Size	2" NPT(M)
I/O Connection	1/4" NPT(F)
Pilot (supply) Pressure	0-30 psi (0-2 BAR) or 0-80 psi (0-5.5 BAR)
Flow Rate @ Max Pilot Pressure	60 SCFH (1.7 CMH)
Maximum Process Pressure	1500 psi (103 BAR)
Process Temperature Range	-40 to 400°F (-40 to 204°C)
Minimum Specific Gravity	0.65
Weight	3.5 lbs. (2 kg)

SCFH - Standard cubic feet per hour
CMH - Cubic meter per hour



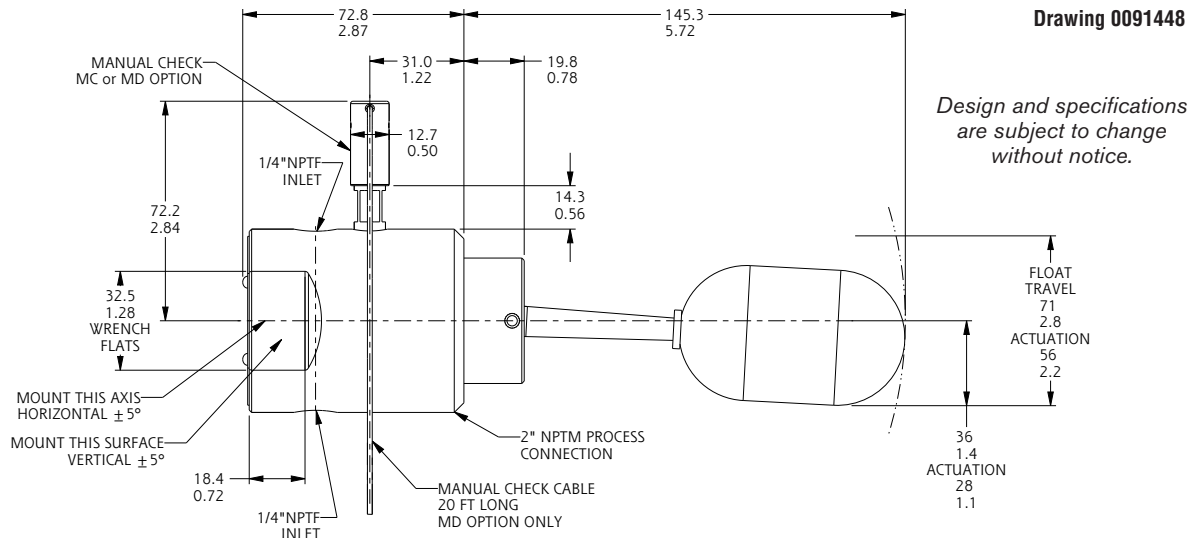
1540 Side Mounted Pneumatic Level Switch

Dimensions

The drawings & illustrations below show the manual check (MC or MD) option.

Linear = mm/inches

Drawing 0091448



How to Order

Model Number System

1540 - C - G - 2A - C - J0 - PS - MC9A

Switches 1

Pilot (Supply) Pressure: 0-30 psi (0-2 BAR)
Flow Rate @ 30 psi Supply: 60 SCFH (1.7 CMH)

Pilot (Supply) Pressure: 0-80 psi (0-5.5 BAR)
Flow Rate @ 80 psi Supply: 60 SCFH (1.7 CMH)

J0

J1

2 Optional Accessories

Insert accessory designator(s) as needed

- BB Wetted parts are cleaned for industrial oxygen service
- MC* Manual check accessory (uses Viton GLT o-rings)
- MD* Manual check accessory (uses Viton GLT o-rings) with 20' remote cable
- NC NACE construction - MR 01-75 / ISO 15156 2003. Available only with 316SS materials of construction
- PP Tag, fiber. Attached with plastic wire to housing. Stamped with customer specified tagging information.
- RR Tag, stainless steel. (Attached with stainless steel wire to housing. Stamped with customer specified tagging information. 2 lines, 18 characters and spaces per line.)
- TT Stainless steel nameplate permanently attached to housing. Stamped with customer specified tagging information.
- VV Fungicidal varnish. Covers exterior except working parts.

*Manufacturer limits on Viton GLT are -40 to 400°F.

1540 C G 2A C J0 PS MC 9A ← Model Number

1540 Side Mounted Pneumatic Level Switch

How to Order

Test Certificates

	Certificates	C1	C3	C4	C7	B7
1540 Pneumatic Level Switch	Calibration	◆				◆
	Inspection Report		◆			◆
	Compliance / Conformance			◆		◆
	QA Test Report				◆	

Replacement Parts

Designator	Description
3130040	20' Remote Cable with two cable crimps**
3100152	Float
9227012	Float & Arm Assembly
9227024	Manual Check Accessory (uses Viton GLT O-ring) (MC)**
9227025	Manual Check Accessory with remote 20' cable (MD)**

**Unit must have originally been supplied with MC or MD option.

Limited Warranty

Cameron agrees to repair or replace any switch found to be defective in material or workmanship within five years from date of shipment. The limited warranty is valid only if the switch was installed in accordance with published factory installation instructions, operated within the design limitations stated on the nameplate, and returned to the factory for inspection, freight prepaid, within the warranty period. Contact the factory for return authorization. No claim for labor or consequential damages will be allowed.

NORTH AND SOUTH AMERICA

14450 JFK Blvd.
Houston, TX 77032
USA
Tel 1 281 582 9500
ms-us@c-a-m.com

7300 Nix Dr.
Duncan, OK 73533
USA
Tel 1 580 470 9600
ms-us@c-a-m.com

1000 McClaren Woods Dr.
Coraopolis, PA 15108
USA
Tel 1 724 273 9300
gasufm@c-a-m.com

7944 10th Street NE
Calgary, Alberta T2E 8W1
Canada
Tel 1 403 291 4814
ms-canada@c-a-m.com

EUROPE, AFRICA, CASPIAN AND RUSSIA

3 Steyning Way
Southern Cross Trading Estate
Bognor Regis
West Sussex PO22 9TT
England, UK
Tel 44 1243 826741
ms-uk@c-a-m.com

ASIA PACIFIC AND MIDDLE EAST

Suite 16.02 Menara AmFirst
No. 1 Jalan 19/3
46300 Petaling Jaya
Selangor Darul Ehsan
Malaysia
Tel 603 7954 0145
ms-kl@c-a-m.com

Level 9, Al Jazira Club Tower A
P.O. Box 47280, Muroor Road
Abu Dhabi
United Arab Emirates
Tel 971 2 596 8400
ms-uk@c-a-m.com

Learn more about Cameron's
measurement solutions at:
www.c-a-m.com/measurement



HSE Policy Statement
At Cameron, we are committed ethically, financially and personally
to a working environment where no one gets hurt and nothing gets harmed.