



Taylor Valve
Technology

1600 SERIES

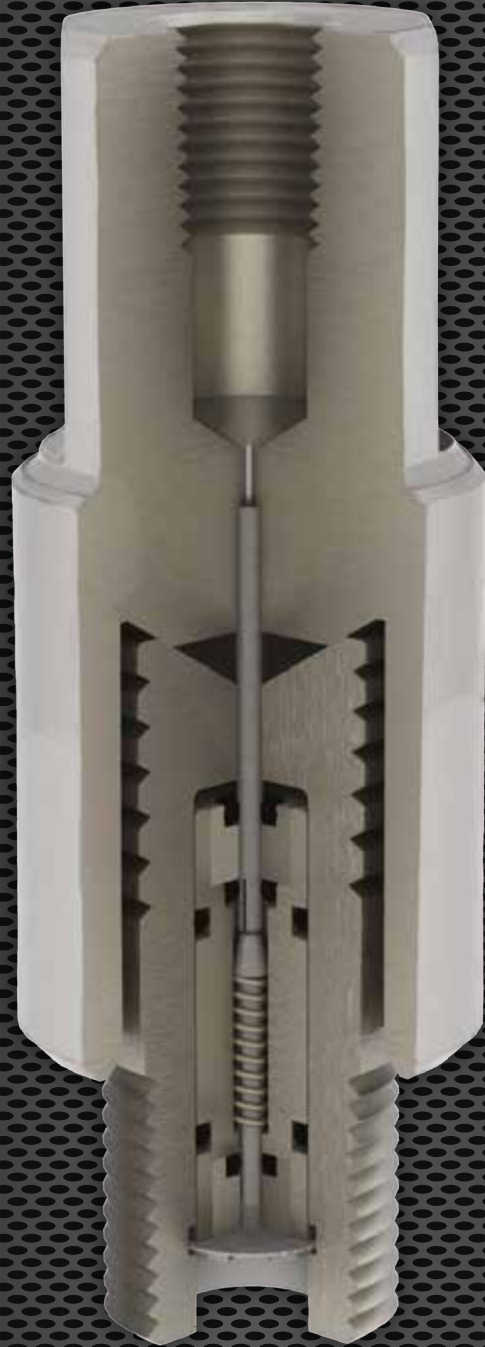
GAUGE PLUG® & GAUGE PROBE® FITTINGS

Accuracy.

Quality.

Simplicity.

WORLDWIDE



SINCE 1958





The Original Gauge Plug & Gauge Probe Fittings

Taylor Valve Gauge Plug® and Gauge Probe® Fittings have been a standard in the oil field since their invention in 1958 by Julian Taylor. Typical applications include well heads, flow lines, pressure vessels and anywhere accurate pressures are required.

www.taylorvalve.com

GAUGEprobe® Fittings



1/4" FNPT or 1/2" FNPT 316 SS
SLIP-ON TYPE
VAC TO 5000 PSI



1/4" FNPT or 1/2" FNPT 316 SS
LOCK-ON TYPE
VAC TO 15000 PSI

A Lock-On type probe is recommended when the pressure or sample device is to be mounted onto the plug or when the pressure on the plug exceeds 5,000 psi.

GAUGEplug® Fittings



1/4" FNPT (316 SS) or 1/2" MNPT (304 SS or 316 SS)
LOCK-ON TYPE
VAC TO 15,000 PSI

miniGAUGEprobe® Fittings



1/4" FNPT 316 SS
MINI-SLIP-ON TYPE
VAC TO 5000 PSI
GPRM-S-1 #16-234252



1/4" FNPT 316 SS
MINI-LOCK-ON TYPE
VAC TO 5000 PSI
GPRM-S-1 #16-217252

miniGAUGEplug® Fittings



1/8" MNPT BRASS
VAC TO 2000 PSI
GPM-1 #16-531661



1/8" MNPT 316 SS
VAC TO 5000 PSI
GPM-S-1 #16-540551

TAKE
pressure & samples

WITHOUT fixed instrumentation



**Taylor Valve
Technology**

www.taylorvalve.com

GAUGE PROBE® Fittings	316 SS
1/4" FNPT SLIP-ON	16-234252
1/2" FNPT SLIP-ON	16-234253
1/4" FNPT LOCK-ON	16-217252
1/2" FNPT LOCK-ON	16-217253

All probes are made in 316 SS (Other Material Options are Available)

GAUGE PLUG® Fittings	316 SS	With Metal Cap
1/2" MNPT LOCK-ON GAUGE PLUG®	16-154554	16-164554
1/4" FNPT LOCK-ON GAUGE PLUG®	16-054554	16-064554

All plugs are made in 316 SS (Other Material Options are Available)

PLUGrepair



316 SS
REPAIR CARTRIDGE ASSEMBLY
VAC TO 15000 PSI
#16-304605



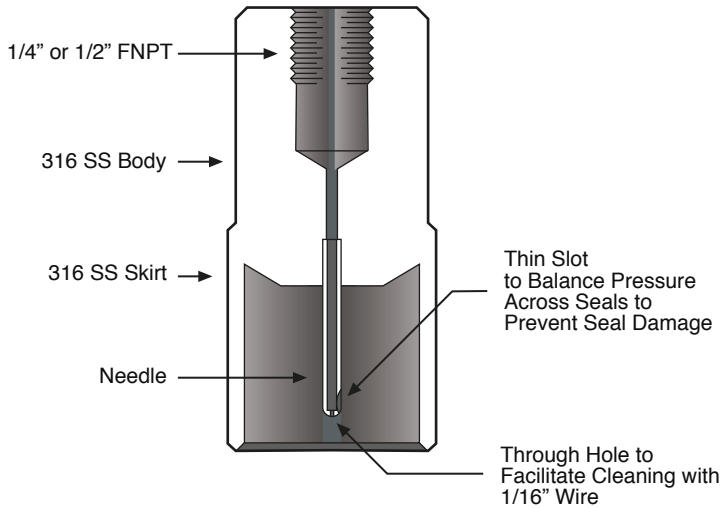
REPAIR METAL CAP
VAC TO 15000 PSI
#16-012510



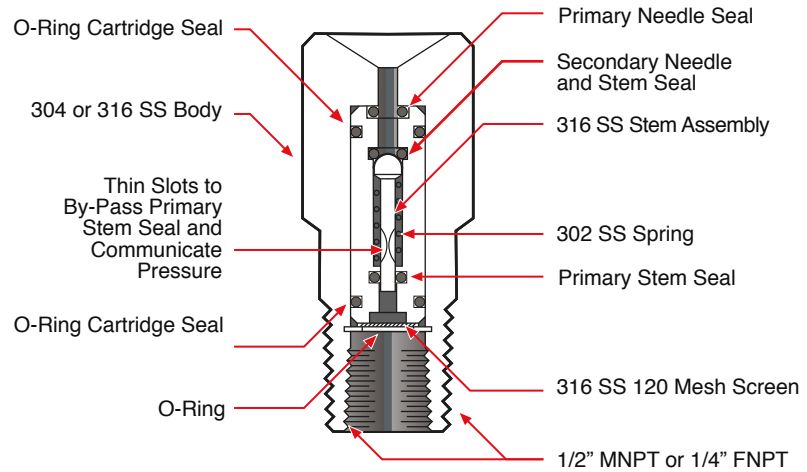
REPAIR SANOPRENE CAP
VAC TO 15000 PSI
#16-003676



GAUGE PROBE



GAUGE PLUG



All Elastomer Seals are Buna N. (Other Seal Materials are Available)

APPLICATIONS

1. Troubleshoot complicated hydraulic or pneumatic circuits during operation without breaking pressure in lines.
2. Sample line fluids in seconds.
3. Gauge corrosive fluids or sour gas with safety.
4. Calibrate or test the accuracy of fixed pressure gauges or meters.

ADVANTAGES OF THE GAUGE PLUG & PROBE SYSTEM™

1. Seal is bubble tight.
2. Metal to metal seat plus elastomer seal.
3. All Stainless Steel construction.
4. Take pressure readings in seconds.
5. Mesh screen filters debris which eliminates potential clogs.
6. The probe does not need lubricant prior to probing.
7. Reduced chance of gauge loss due to theft or vandalism.
8. Eliminates excessive wear on expensive, delicate gauges due to harsh environments, vibration, pressure pulsation or mechanical shock.



Model 140 Liquid Level Indicator

The Model 140-LLI displays the level in a tank by sensing the head pressure and converting it to movement of a pointer on a fixed scale, continuously indicating liquid level in an atmospheric (vented) vessel.

Because of its unique design, the Model 140-LLI has a long service life with minimal maintenance requirements. The Model 140-LLI utilizes a set of precision crafted diaphragms as the sensing element, and the superior seal design isolates mechanical working parts from process fluids and corrosive agents in the atmosphere. Span and zero adjustment knobs are on the exterior of the unit, and if maintenance is ever required on the interior of the unit, the face plate can be easily removed.

Taylor Valve Technology • 8300 SW 8th Street • Oklahoma City, Oklahoma 73128

TEL 405.787.0145

FAX 800.805.3401

WEB www.taylorvalve.com INFO info@taylorvalve.com