

1" Model CI Variable Orifice Inline Valve



Taylor Valve Technology

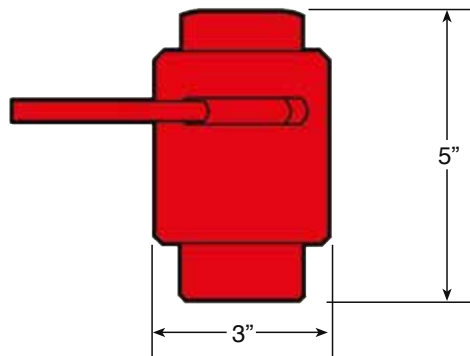
Taylor's 1" CI Variable Orifice Inline Valve provides a very simple, economical solution for flow applications with high pressure drops. The variable orifice design affords precision control of flow rates or pressures and adapts to 1/4 turn actuators.

Seven trim sizes with ceramic as the standard material and tungsten carbide as an option, give the 1" CI the versatility required to accommodate a variety of flow conditions.

Taylor Valve Technology continues to be dedicated to high quality and innovative engineering approaches that satisfy our customer's technical needs.

Weight: 7.4 lbs.

Orifice Size	Equivalent Flow Areas (in ²)	Cv
(2) 1/8" Holes	.024	.7
(2) 3/16" Holes	.055	1.6
(2) 1/4" Holes	.098	2.8
(2) 3/8" Holes	.220	6.3
(2) 1/2" Holes	.392	11.2
(2) 5/8" Pie Holes	.480	16.57
(2) 3/4" Pie Holes	.738	23.86



APPLICATIONS

The Taylor 1" CI is designed to control pressure or flow in liquid and gas applications.

FEATURES

- Compact, Light-Weight Design
- 316 Stainless Steel Construction
- Ceramic Trim is Standard with Optional Tungsten Carbide Available
- Easy Operation - 1/4 Turn Full Range
- 2000 PSI Maximum Working Pressure
- 1" FNPT End Connections
- ANSI Class IV Shutoff

Taylor Valve Technology

8300 S.W. 8th Street

Oklahoma City, Oklahoma 73128

TEL 405.787.0145

FAX 800.805.3401

WEB taylorvalve.com

INFO info@taylorvalve.com

NOTE: Taylor Valve reserves the right to change product designs and specifications without notice.