

# BRISE

*Self Operated  
Pressure Regulator*



# GASCAT

**APPLICATION**

When pressure regulators for combustion application are submitted to high and quick flow variation, a fast response and low lock up (less than 10%) is required even in cases where the gas goes down from its totally capacity to zero flow, for example when you have solenoid valves downstream to shutoff the process in less than one second.

These installations related are normally known as "gas train burners" and in case the pressure regulator does not meet these requirements you can have inconvenient disengaging shutoff devices or inconvenient alarms.

The BRISE pressure regulator is the result of many years of research on how to work with these applications.

**FEATURES**

- Internal type construction, allowing easy unit access (4 bolts) of all working parts ensuring easy maintenance without removing the body from the pipeline
- Balanced Valve gives excellent control over large variation of inlet pressure range
- Excellent control throughout entire working range
- Tight shut-off on zero flow (positive lock-up)
- Quick response and precision control
- Diaphragm assembly provided with safety relief valve
- Max. Inlet Pressure: 10 bar (g)
- Actuator: Spring loaded
- Fail to open

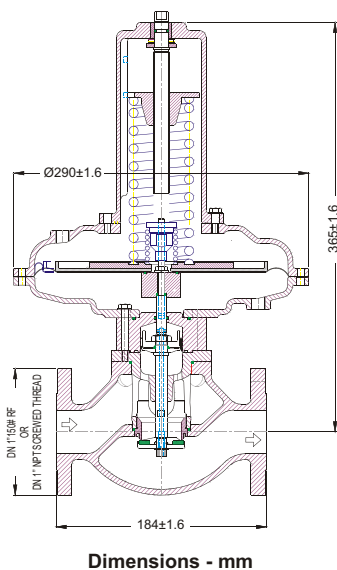
**MATERIALS**

Body: Ductile Iron ASTM A-536 Gr.60-45-12  
 Cover and Spring case: Aluminium Alloy  
 Orifice: Brass, Aluminium or Stainless Steel  
 Diaphragm: Buna N  
 Valve Seat: Buna N

**CAPACITY CHART NATURAL GAS in SCM/H**

**Nominal Diameter: 1"**

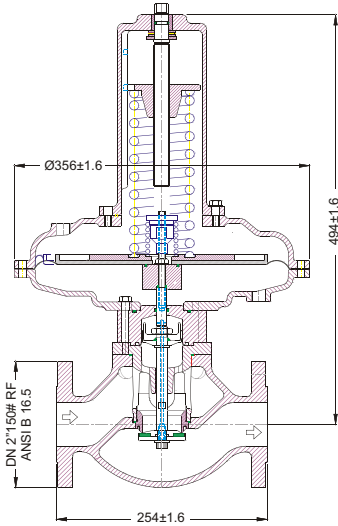
Orifice 27,0 mm



Inlet pressure - bar(g)	Outlet pressure - bar(g)								
	0,02	0,05	0,075	0,10	0,25	0,50	0,75	1,0	1,5
0,25	120,0	142,0	170,0	180,0					
0,50	178,0	200,0	230,0	260,0	260,0				
0,75	215,0	240,0	290,0	325,0	360,0	280,0			
1,0	260,0	285,0	340,0	370,0	420,0	395,0	300,0		
1,5	280,0	315,0	360,0	370,0	420,0	450,0	415,0	275,0	—
2,0	300,0	355,0	360,0	370,0	420,0	503,0	525,0	375,0	302,0
3,0	300,0	355,0	360,0	370,0	420,0	503,0	587,0	545,0	523,0
4,0	342,0	355,0	360,0	370,0	420,0	503,0	587,0	590,0	675,0
5,0	342,0	355,0	360,0	370,0	420,0	503,0	587,0	670,0	800,0
6,0	342,0	355,0	360,0	370,0	420,0	503,0	587,0	670,0	830,0
7,0	342,0	355,0	360,0	370,0	420,0	503,0	587,0	670,0	830,0
8,0	342,0	355,0	360,0	370,0	420,0	503,0	587,0	670,0	830,0
9,0	342,0	355,0	360,0	370,0	420,0	503,0	587,0	670,0	830,0
10,0	342,0	355,0	360,0	370,0	420,0	503,0	587,0	670,0	830,0

**CAPACITY CHART NATURAL GAS in SCM/H**
**Nominal Diameter: 2"**

Orifice 47,5 mm

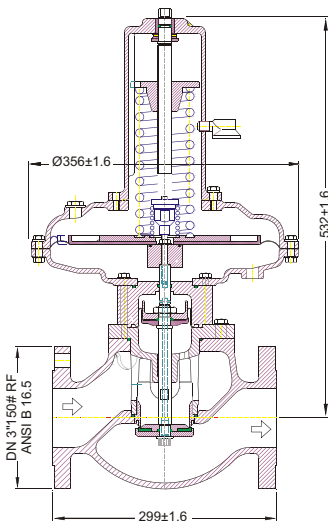


Dimensions - mm

Inlet pressure - bar(g)	Outlet pressure - bar(g)									
	0,02	0,05	0,075	0,10	0,25	0,50	0,75	1,0	1,5	
0,25	488,0	560,0	700,0	770,0						
0,50	710,0	784,0	930,0	1060,0	1067,0					
0,75	860,0	950,0	1176,0	1320,0	1450,0	1153,0				
1,0	1050,0	1125,0	1385,0	1500,0	1700,0	1616,0	1200,0			
1,5	1125,0	1240,0	1450,0	1500,0	1700,0	1850,0	1660,0	1100,0	—	
2,0	1200,0	1400,0	1450,0	1500,0	1700,0	2050,0	2100,0	1505,0	1230,0	
3,0	1200,0	1400,0	1450,0	1500,0	1700,0	2050,0	2350,0	2200,0	2130,0	
4,0	1360,0	1400,0	1450,0	1500,0	1700,0	2050,0	2350,0	2386,0	2750,0	
5,0	1360,0	1400,0	1450,0	1500,0	1700,0	2050,0	2350,0	2690,0	3100,0	
6,0	1360,0	1400,0	1450,0	1500,0	1700,0	2050,0	2350,0	2690,0	3350,0	
7,0	1360,0	1400,0	1450,0	1500,0	1700,0	2050,0	2350,0	2690,0	3350,0	
8,0	1360,0	1400,0	1450,0	1500,0	1700,0	2050,0	2350,0	2690,0	3350,0	
9,0	1360,0	1400,0	1450,0	1500,0	1700,0	2050,0	2350,0	2690,0	3350,0	
10,0	1360,0	1400,0	1450,0	1500,0	1700,0	2050,0	2350,0	2690,0	3350,0	

**CAPACITY CHART NATURAL GAS in SCM/H**
**Nominal Diameter: 3"**

Orifice 65,0 mm



Dimensions - mm




Inlet pressure - bar(g)	Outlet pressure - bar(g)									
	0,02	0,05	0,075	0,10	0,25	0,50	0,75	1,0	1,5	
0,25	730,0	835,0	1050,0	1150,0						
0,50	1055,0	1175,0	1400,0	1590,0	1600,0					
0,75	1250,0	1415,0	1650,0	1960,0	2200,0	1625,0				
1,0	1580,0	1705,0	1870,0	2285,0	2550,0	2100,0	1820,0	—	—	
2,0	1790,0	2075,0	2325,0	2780,0	2935,0	2980,0	3175,0	3200,0	2350,0	
3,0	2160,0	2330,0	2565,0	3100,0	3350,0	3515,0	3580,0	3610,0	4066,0	
4,0	2160,0	2500,0	2670,0	3455,0	3500,0	3600,0	3900,0	4200,0	4750,0	
5,0	2160,0	2500,0	2820,0	3650,0	3700,0	3800,0	3900,0	4775,0	5700,0	
6,0	2160,0	2500,0	2820,0	3650,0	3850,0	4400,0	4530,0	4775,0	6600,0	
7,0	2160,0	2500,0	2820,0	3650,0	3850,0	4400,0	4800,0	5970,0	7500,0	
8,0	2160,0	2500,0	2820,0	3650,0	3850,0	4400,0	4800,0	5970,0	7500,0	
9,0	2160,0	2500,0	2820,0	3650,0	3850,0	4400,0	4800,0	5970,0	7500,0	
10,0	2160,0	2500,0	2820,0	3650,0	3850,0	4400,0	4800,0	5970,0	7500,0	

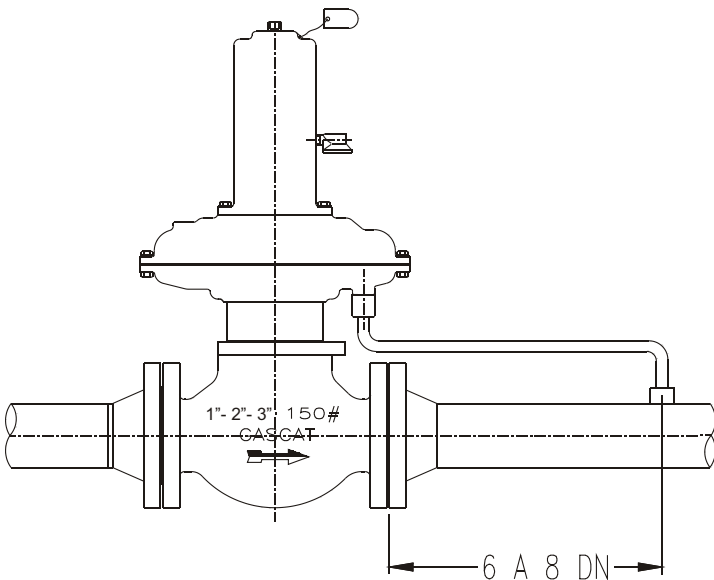


BRISE 1"		
Spring Selection		
outlet pressure (mbar)	wire Ø (mm)	color
20 - 50	5,0	gray
45 - 100	6,0	yellow
90 - 200	7,0	brown
150 - 300	8,0	blue
250 - 400	9,0	white
350 - 500	9,5	red
450 - 600	10,5	purple
550 - 800	11,0	green
650 - 1300	12,0	black
900 - 1500	13,0	aluminium

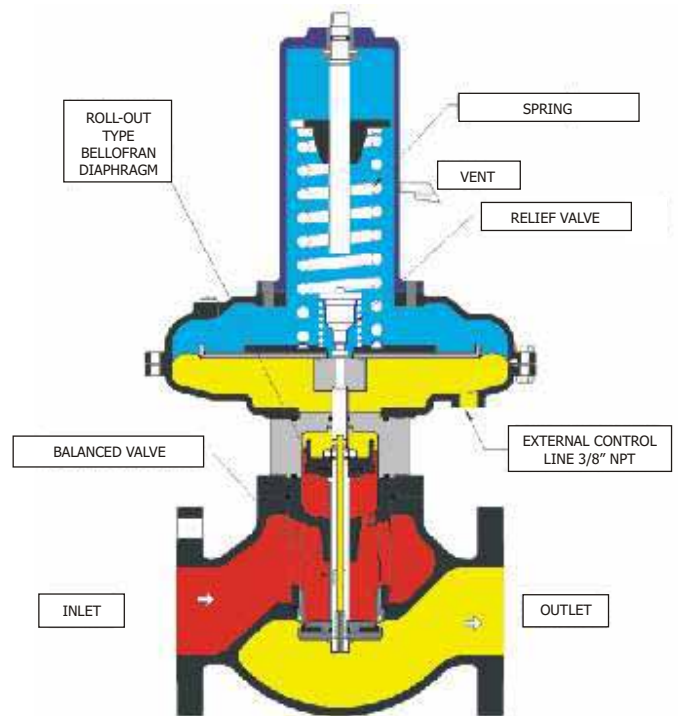
BRISE 2" - 3"		
Spring Selection		
outlet pressure (mbar)	wire Ø (mm)	color
20 - 50	6,0	gray
45 - 100	7,0	yellow
90 - 200	8,0	brown
150 - 300	9,0	blue
250 - 400	10,0	white
350 - 500	11,0	red
450 - 600	12,0	purple
550 - 800	13,0	green
700 - 1100	14,0	black
900 - 1500	15,0	aluminium

Accuracy Pressure Range			
Outlet Pressure mbar(g)	RG(+/-)	SG(+)	Tightness
20 - 30	15	20	Total
30 - 100	10	15	
100 - 500	10	10	
500 - 1000	5	10	

 Inlet Pressure  
 Outlet Pressure  
 Atmospheric Pressure



### Installation Sketch



### Head Office / Factory

Rodovia SP 73, nº 1141 - Bairro Pimenta

Indaiatuba - SP - CEP 13.347-390

Tel: (0XX19) 3936-9300 - Fax: (0XX19) 3935-6009

<http://www.gascatt.com.br>

e-mail: [sales@gascatt.com.br](mailto:sales@gascatt.com.br)