

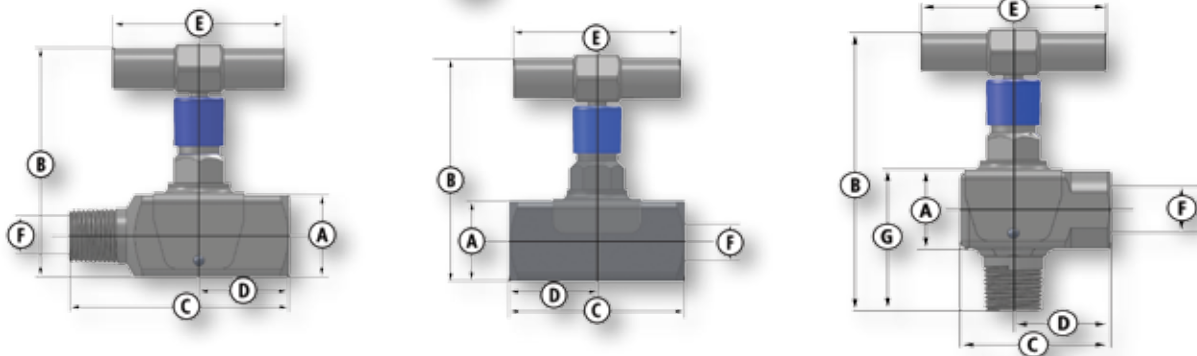
Threaded Needle Valves

6000 PSI / Resilient Seated

- 316 Stainless Steel Stem Standard
- Non-Rotating Seats
- Bonnet Locking Shroud
- Precise Metering
- Split Seat Design
- Maximum Temp 200°

Material Description

ITEM	PART NAME	CARBON STEEL VALVE
1	Body (MxF) (90 °)	A216 WCB (Investment Casting)
2	Body (FxF)	1215 CRS
3	Body (MxF)	AISI 1018
4	Handle	12L14 CRS
5	Handle Bolt	SHCS Zinc Plated
6	Bonnet Cover	Polyethylene
7	Bonnet	12L14 CRS
8	Bonnet O-Ring	Buna-N
9	Stem	316 Stainless Steel
10	Stem Back-up Ring	Buna-N
11	Stem O-Ring	Buna-N
12	Resilient Seat (2 Piece)	Acetal
13	Bonnet Locking Shroud	304 Stainless Steel



Dimensional Data

SIZE	CATALOG NUMBER		SEAT	DIAGRAM	A	B	C	D	E	F	G	LBS.
	CARBON STEEL											
.25	N263-MF		Resilient	A	1.25	3.87	3.25	1.37	2.62	.219	N/A	1.5
.25	N263-FF		Resilient	B	1.25	3.87	2.75	1.37	2.62	.219	N/A	1.5
.50	N463-MF		Resilient	A	1.25	3.87	3.37	1.37	2.62	.219	N/A	1.5
.50x.25	N463-MRF		Resilient	A	1.25	3.87	3.37	1.37	2.62	.219	N/A	1.5
.50	N463-FF		Resilient	B	1.25	3.87	2.75	1.37	2.62	.219	N/A	1.5
.50	N463-A		Resilient	C	1.25	4.87	2.12	1.37	2.62	.219	2.25	1.5

BALON

11.2013 Rev.1